

Changing cubicles type VK13 WK

Made of 13 mm solid grade laminate

schäfer[®]
Trennwandsysteme



Stylish and elegant partitioning.



BEFORE WE
EXPECT TRUST FROM
OUR CUSTOMERS,
WE PROVIDE EVIDENCE
that's us!

ENVIRONMENT & SUSTAINABILITY *that's us!*

Sustainable management and careful use of resources are a matter of course for us and part of our corporate philosophy. This basic idea is consistently integrated and lived in our work processes. We are proud to be the first certified manufacturer of partition systems and lockers in Germany to operate according to the FSC™ and PEFC guidelines.

PEFC - registered

We pay attention to a sustainable supply chain in which our products are procured under ecological, economic and socially just aspects.

FSC™ - certified

As the first certified manufacturer in the area of partition systems and lockers in Germany, we make an active contribution to the protection of our earth with this future-oriented procurement method. We supply almost our entire range from sustainable wood in accordance with the specifications of the FSC™.



*On request
the products are
available with
FSC™ certification*

TÜV NORD GS TESTED SAFETY *that's us!*

Tested and certified by TÜV NORD these products meet the requirements of the Product Safety Act ProdSG § 21 Registration No. 44 329 14148812.



MADE IN GERMANY *that's us!*

Our products are manufactured for you at the company site in Horhausen, Rhineland-Palatinate. This is the only way we can guarantee the high quality standards we set for our products.



PREQUALIFIED *that's us!*

We are registered in the list of prequalified construction companies with the number 010.049740, proving that we are qualified for the products and services we offer.



INNOVATIVE & DESIGN-ORIENTED *that's us!*

With our design-oriented and innovative products, we convince not only our customers, but also national and international committees.



reddot winner 2021





Perfectly equipped changing areas with VK13 WK.

Used and proven thousands of times: The realization of individual changing areas with changing cubicles of type VK13 WK from Schäfer Trennwandsysteme. The material impresses with its stability, absolute water resistance, an easy-to-clean surface and countless design variants. The clear structure with its stable, corrosion-free aluminium profiles also allows a mix of materials, e.g. with inserted doors made of glass. There are no limits to the imagination when it comes to the surface design of the booth systems. Of course, a floating appearance can also be combined with outstanding ease of cleaning thanks to a central center foot. The VK13 WK changing cubicles are suitable as a solution for almost all applications; especially when smart detail solutions are required.



(1)



(2)



(3)

Interesting facts about VK13 WK

Changing cubicles made of 13 mm solid grade laminate

- Completely waterproof
- Ideal for wet and dry areas
- Very stable construction and long service life
- Central locking system allows simultaneous locking of both doors
- Vertical profiles provide high stability. They are additionally drilled into the head profile and guided down to the floor
- System is made to measure
- Wide range of decors and colours
- Customized motif prints enable unique partition designs
- Made in Germany

(1)

- Collective changing cubicle
- Adhesive numbered circles on the doors for easy and quick orientation
- Additional pictograms with the cabin labeling including Braille on the partition wall

(2)

- Colour combinations are a design element and orientation aid at the same time
- Countless combination options allow maximum design freedom

(3)

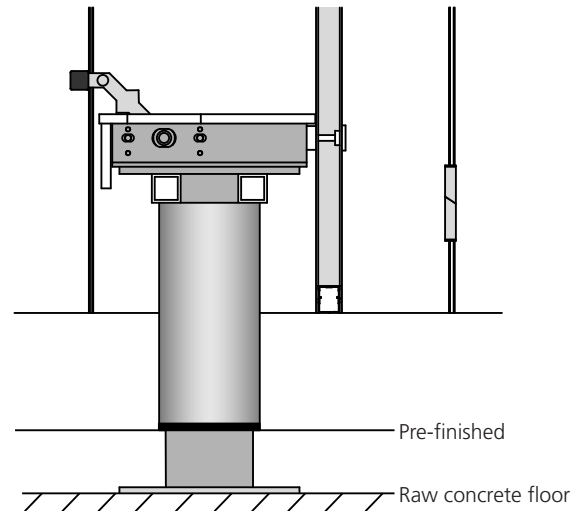
- Central locking system under the cubicle bench seat
- Simultaneous locking and opening of the doors
- Emergency unlocking from outside possible

Changing cubicles with a central middle foot: good looking and money

- Up to 75% less feet
- Less cleaning effort
- Lower cleaning costs
- Less damage from cleaning machines
- Floating look improves appearance

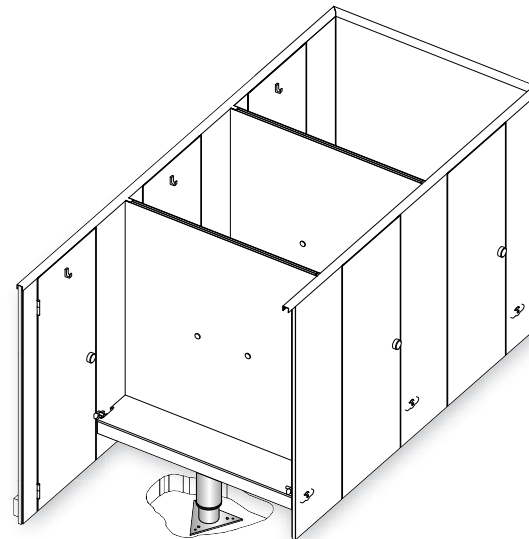


For comparison:
changing cubicle with support feet in the front



The central middle foot: the load-bearing structure with a long-term perspective.

- Central feet under the cubicle benches are anchored to the bare floor and support the entire cubicle system
- Feet in the front are largely unnecessary
- This has advantages for long cubicle life:
 - more hygienic
 - lower cleaning costs
 - less damage from cleaning machines
 - top class look



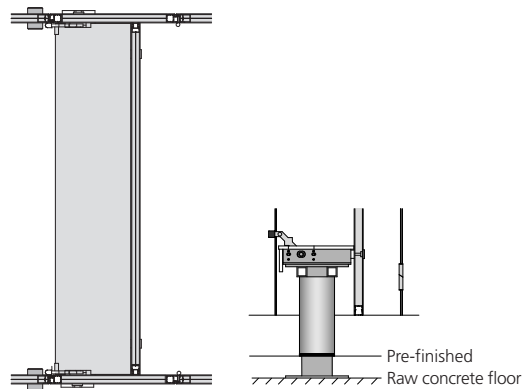
Example of the cost savings with 40 changing cubicles

Example changing cubicles	with supports	with central support
Qty of changing cubicles	40	40
Supports per cubicle	4	1
Hourly wages of a cleaning person	23,00 €	23,00 €
Cleaning effort per support	15 sec.	10 sec.
Cleaning effort per day	40 min.	6,7 min.
Cleaning effort per year	244 Std.	41 Std.
Cleaning costs of supports per year	5.612,00 €	943,00 €
Costs savings per year		4.669,00 €

Est. costs of the central supports at the changing cubicles	18.000,00 €
Amortization after years, est.	4

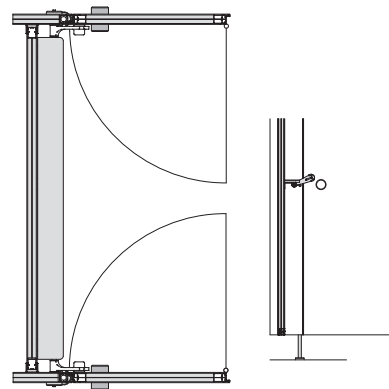


Construction of central locking device



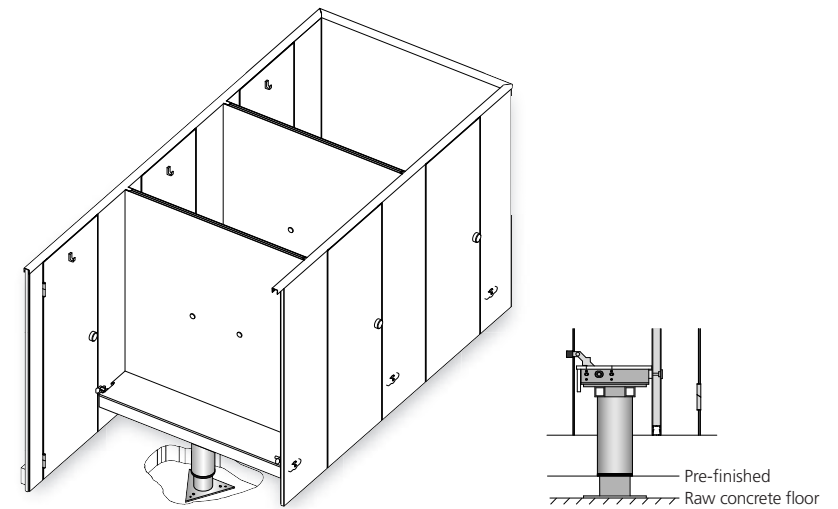
The changing cubicle can be locked synchronously using the central under bench lock. Alternatively, it can be locked using central lever locking.

Central lever locking construction



Synchronous locking of the changing cubicle with central lever locking.

Central middle foot construction



The optional central midfoot under the cubicle bench is anchored to the raw concrete floor. This means that the entire cubicle can be supported on one foot and feet in the front are largely unnecessary.

We reserve the right to make technical alterations.

Features type VK13 WK

Supports:



- Height-adjustable support foot made of stainless steel
- Complies with DIN 1.4301
- This variant is utilised when powder-coated profiles are used



- Height-adjustable support made of anodised aluminium (E6/EV1)
- This variant is used with the anodised profiles

Hinge:



- Anodised aluminium rising hinge with high-performance polymer
- These inserts guarantee absolute freedom from maintenance and a silence closing of the door
- The parts never wear out or show signs of fatigue, ensuring that the doors still close perfectly even after years of use
- Stainless steel tapping screws are used to screw stainless steel hinges to a plate equipped with tapping holes

Tenon hinge optional:



- Two interlocking aluminium profiles on the hinge side
- Highly effective and durable finger pinch protection
- Integrated self-closing function

Central middle foot under the cubicle benches optional:



- The optional central foot under the cabin bench seat is already anchored to the raw floor
- The complete cabin is thereby on one foot

Variations of accessories type VK13 WK

Hardware:



Aluminium
one hand door knob



Nylon
one hand door knob

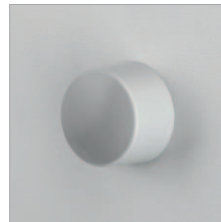


Central
under bench lock

Buffer and hooks:



Aluminium buffer
Schäfer AL7015



Nylon buffer
Schäfer N8015



Aluminium hook
Schäfer AL7011



Nylon hook
Schäfer N8010

Hangers:



Hanger made of
unbreakable nylon



Nylon hanger
with net for clothes



Nylon hanger
with additional
shoe hook

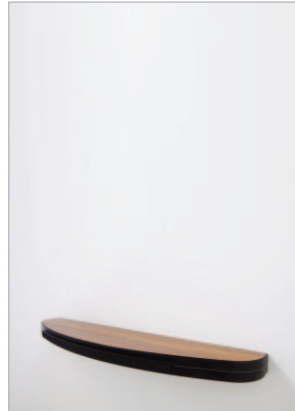


Nylon hanger
with shoe hook and net

Variation of accessories type VK13 WK

Mirrors and shelves:

Mirrors and shelves can be added optional to each changing and dressing room.



Changing tables:

Changing table with additional storage space and waste collector integrated into a family changing cubicle.

More about other changing table variants you can learn [here >](#)



[To the individual changing tables >](#)

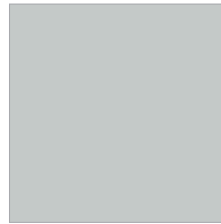
[To the sanitary accessories >](#)

Colours type VK13 WK

Panels:



2001
Weiß



2002
Silbergrau



2010
Aluminiumgrau



2004
Anthrazit



2006
Limonengrün



2007
Atlantik

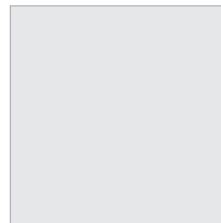


2008
Pflaume

Profiles:



RAL 9010
Reinweiß



E6/EV1
Eloxiert

Special colours for panels, profiles in all RAL colours and special accessories are available upon request. Ask us!

There may be a difference between printed colours and real colours.



reddot winner 2021



GERMAN
INNOVATION
AWARD '22
WINNER

