

# Benches and cloakroom hook rails





BEFORE WE  
EXPECT TRUST FROM  
OUR CUSTOMERS,  
WE PROVIDE EVIDENCE  
*that's us!*

## ENVIRONMENT & SUSTAINABILITY *that's us!*

Sustainable management and careful use of resources are a matter of course for us and part of our corporate philosophy. This basic idea is consistently integrated and lived in our work processes. We are proud to be the first certified manufacturer of partition systems and lockers in Germany to operate according to the FSC™ and PEFC guidelines.

### PEFC - registered

We pay attention to a sustainable supply chain in which our products are procured under ecological, economic and socially just aspects.

### FSC™ - certified

As the first certified manufacturer in the area of partition systems and lockers in Germany, we make an active contribution to the protection of our earth with this future-oriented procurement method. We supply almost our entire range from sustainable wood in accordance with the specifications of the FSC™.



On request  
the products are  
available with  
FSC™ certification

## TÜV NORD GS TESTED SAFETY *that's us!*

Tested and certified by TÜV NORD these products meet the requirements of the Product Safety Act ProdSG § 21  
Registration No. 44 329 14148807



## MADE IN GERMANY *that's us!*

Our products are manufactured for you at the company site in Horhausen, Rhineland-Palatinate. This is the only way we can guarantee the high quality standards we set for our products.



## PREQUALIFIED *that's us!*

We are registered in the list of prequalified construction companies with the number 010.049740, proving that we are qualified for the products and services we offer.



## INNOVATIVE & DESIGN-ORIENTED *that's us!*

With our design-oriented and innovative products, we convince not only our customers, but also national and international committees.



reddot winner 2021







## Stylish seating surfaces. Design and functionality perfectly combined.

The Schäfer wardrobe system S20 not only fulfils all safety requirements in the changing room area. Its high stability makes it an excellent choice for heavy-duty use. The attractive design and the well thought-out system construction of the S20 cloakroom system allows it to be adapted to almost all structural conditions. Our sturdy benches and hook rails are ideally suited for many areas of use such as swimming pools, sports halls, fitness studios, schools and commercial changing rooms and are therefore the first choice for furnishing these areas. Whether freestanding or pre-built, whether on a base provided by the customer or as an unusual special solution. We make your changing room area perfect with our products!





(1)

**Interesting facts about our bench seatings**

**(1)**

- Bench seating made of 13 mm thick solid grade laminate panel
- Mounted on a round base bricked and tiled by the customer

**(2)**

- Double-sided bench with an anodised cloakroom hook rail round the top
- Cloakroom hook rails are always equipped with safety hooks
- The used safety hooks guarantee a high safety standard
- Underframe of the bench can be supplied either powdercoated or anodised
- Bench seating and back rest consist of solid grade laminate panels
- Bench seating: 26 mm (2x13 mm doubled up)
- Back rest: 13 mm
- Panels can be delivered without joint up to a length of 2,500 mm
- All corners and edges are rounded for safety

**(3)**

- Bench seating made of lacquered solid wood panels
- This leads to a high-quality optics
- For dry areas

**(4)**

- Benches made of sturdy, easy-care HPL and additional hook rail
- Cloakroom hook rails are always equipped with safety hooks
- Particularly easy to clean and long-lasting



(2)



(3)



(4)





(1)

### Interesting facts about our bench seatings

#### (1)

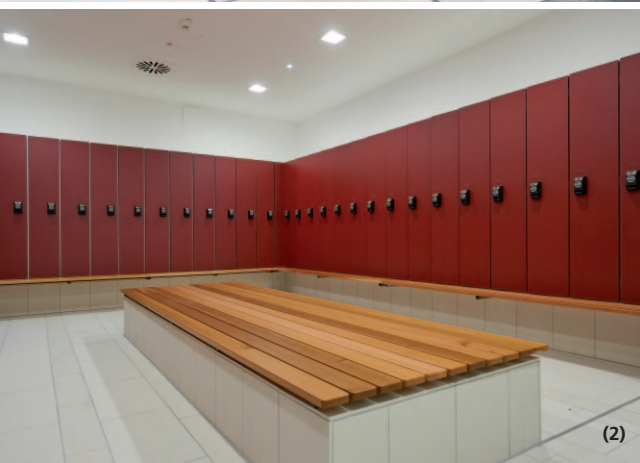
- Freestanding benches for the changing room area
- Made to order
- Comfortable seat height and width
- Easy to clean and hygienic surfaces
- Sturdy aluminium base frame clad with 13 mm thick HPL panels
- The combination of different colours creates accents

#### (2)

- Large seating area in the middle with wooden slats on customer base
- Additional benches at the lockers

#### (3)

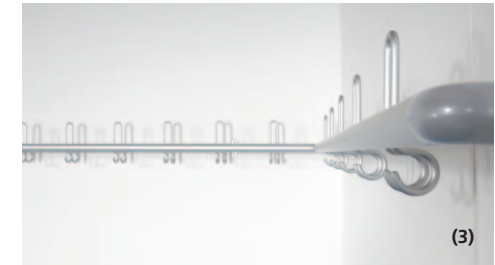
- Bench seating made of 13 mm thick solid grade laminate panels
- Stable subframe made of anodised aluminium
- All-round seat support with mitre-mounted backslash



(2)



(3)



**(1)**

- Hook rails with glass support plate
- Glass support plate made of 10 mm safety glass
- Satin, clear or coloured glass available
- Special hooks made of stainless steel
- Flush-fitting wall mounting done by stainless steel rosettes

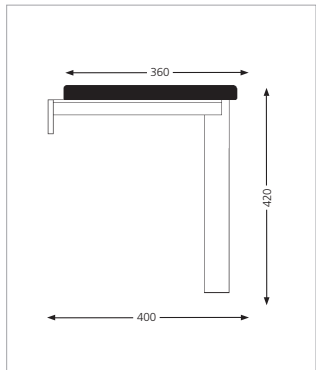
**(2) + (3)**

- Hook rail made of aluminium tubes
- Triple safety hooks
- Hooks located behind the hook rails provide safety
- No protruding parts
- Risk of accidents is significantly reduced

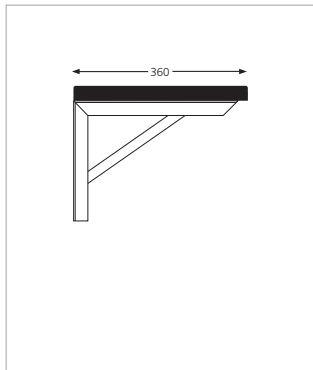




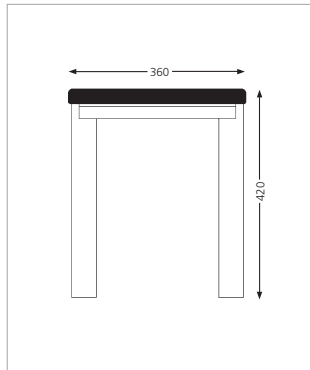
Variants of benches:



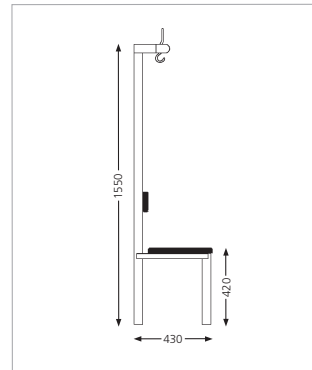
Bench with front support and wall attachment



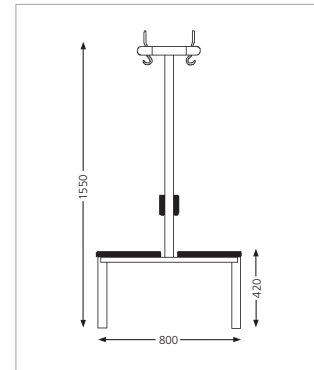
Foot free bench with wall attachment (masonry must be sufficiently stable for this attachment)



Bench as a free standing bench construction



Single-sided bench with hook rail and backrest



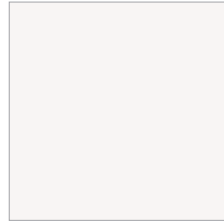
Double-sided bench with hook rail and backrest



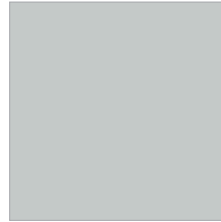
Bench with shoe rack, available for all types

## Colours type S20

### Panels:



2001  
Weiß



2002  
Silbergrau



2010  
Aluminiumgrau



2004  
Anthrazit



2006  
Limonengrün

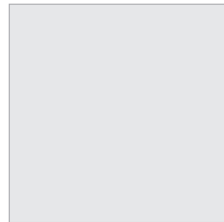


2007  
Atlantik



2008  
Pflaume

### Profiles:



E6/EV1  
Eloxiert

Special colours for panels, profiles in all RAL colours and special accessories are available upon request. Ask us!

There may be a difference between printed colours and real colours.





reddot winner 2021



GERMAN  
INNOVATION  
AWARD '22  
WINNER

