

# Damp room doors NT40





BEFORE WE  
EXPECT TRUST FROM  
OUR CUSTOMERS,  
WE PROVIDE EVIDENCE  
*that's us!*

## ENVIRONMENT & SUSTAINABILITY *that's us!*

Sustainable management and careful use of resources are a matter of course for us and part of our corporate philosophy. This basic idea is consistently integrated and lived in our work processes. We are proud to be the first certified manufacturer of partition systems and lockers in Germany to operate according to the FSC™ and PEFC guidelines.

### PEFC - registered

We pay attention to a sustainable supply chain in which our products are procured under ecological, economic and socially just aspects.

### FSC™ - certified

As the first certified manufacturer in the area of partition systems and lockers in Germany, we make an active contribution to the protection of our earth with this future-oriented procurement method. We supply almost our entire range from sustainable wood in accordance with the specifications of the FSC™.



*On request  
the products are  
available with  
FSC™ certification*

## MADE IN GERMANY *that's us!*

Our products are manufactured for you at the company site in Horhausen, Rhineland-Palatinate. This is the only way we can guarantee the high quality standards we set for our products.



## PREQUALIFIED *that's us!*

We are registered in the list of prequalified construction companies with the number 010.049740, proving that we are qualified for the products and services we offer.



## INNOVATIVE & DESIGN-ORIENTED *that's us!*

With our design-oriented and innovative products, we convince not only our customers, but also national and international committees.



reddot winner 2021





## The perfect door for wet areas.

Water-resistant doors amend the product range of Schäfer in the sanitary field. The decors of the damp room doors can exactly be coordinated to the colors of the cubicles and lockers in order to get the room an uniform and harmonious overall impression. In combination with high quality aluminium frames Schäfer damp room door type NT40 is the perfect product for shower rooms and swimming pools.



**Interesting facts about NT40**

- Consist of 3 mm solid grade laminate panels on both sides which are glued together on a continuous nylon frame
- Element thickness: 40 mm
- Elements are filled with polystyrene foam
- A highly stable but also lightweight construction
- Completely waterproof
- Damp room doors optionally available as a fireproof door (T30)
- Element thickness of the fireproof door T30: 50 mm
- High-quality aluminium frames, available in different types and designs
- Aluminium frames for rabbeted, dulled and glass doors

## Features type NT40

### Hinges:



- High class stainless steel hinges
- Allow a long lasting function of the doors

### Mortice locks:



- Made of brass and stainless steel
- Allow a long lasting function

### Door closer:



#### Optional:

- Door closer with guide rail

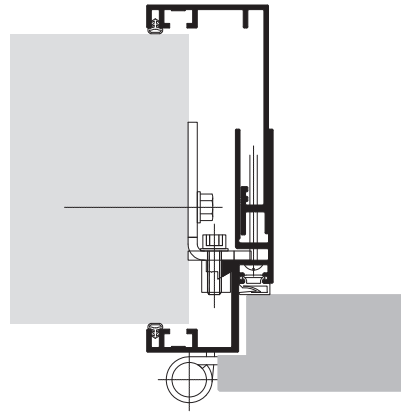
### Door cut outs:



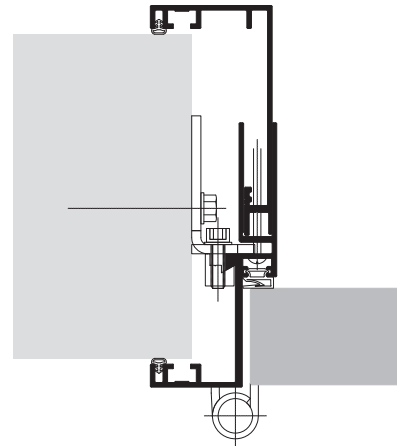
- If required, cut outs for glass and portholes are available

Frames:

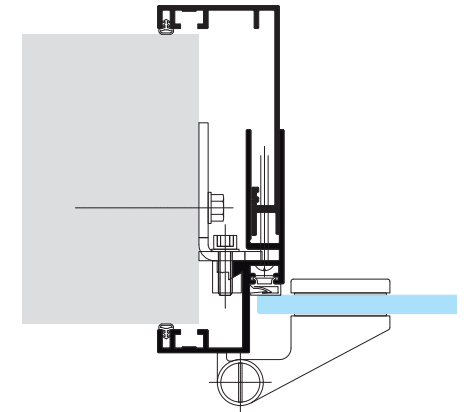
Aluminium frame type Hardline  
for rabbeted doors



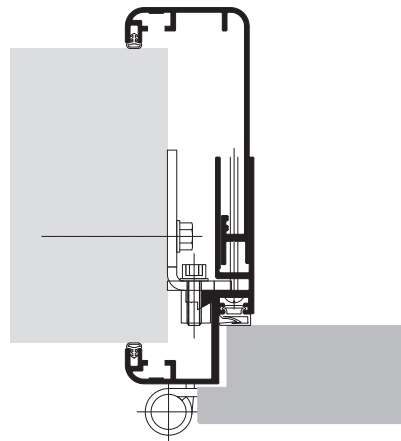
Aluminium frame type Hardline  
for dulled doors



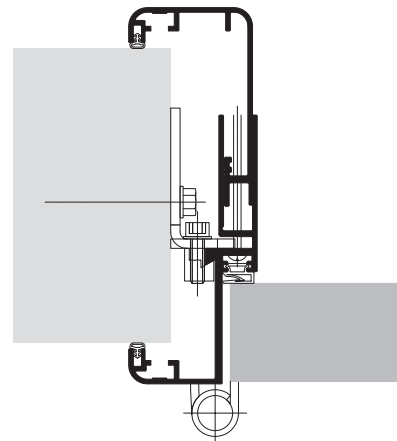
Aluminium frame type Hardline  
for glass doors.



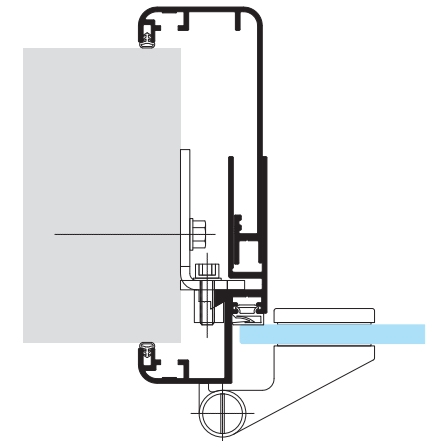
Aluminium frame type Modernline  
for rabbeted doors



Aluminium frame type Modernline  
for dulled doors



Aluminium frame type Modernline  
for glass doors



This is just a choice of possible frames from our partner Küffner. There are more alternative frames on [www.kueffner.de](http://www.kueffner.de)

## Variations of accessories type NT40

### Hardware:



Aluminium  
door handle  
Schäfer AL7050



Stainless steel  
door handle  
Schäfer ES6050

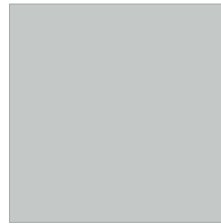
[To the sanitary accessories >](#)

## Colours type NT40

### Panels:



2001  
Weiß



2002  
Silbergrau



2010  
Aluminiumgrau



2004  
Anthrazit



2006  
Limonengrün



2007  
Atlantik



2008  
Pflaume

There may be a difference between  
printed colours and real colours.





reddot winner 2021



GERMAN  
INNOVATION  
AWARD '22  
WINNER

